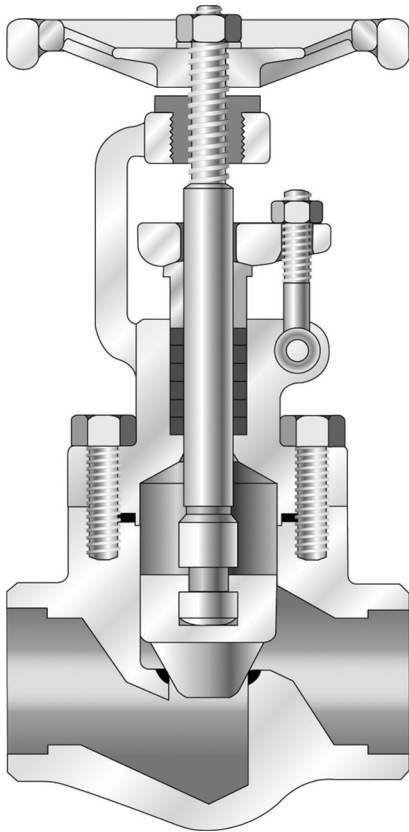


GLOBE VALVE



DESCRIPTION

Globe Valve is ideal for throttling service. Their flow characteristics permit accurate and repeatable flow control. However, caution must be exercised to avoid extremely close throttling when pressure drop exceeds 20%. This creates excessive noise, vibration, and possibly damage to valve and piping.

CLASS

API 800, 1500

ANSI 150, 300, 600, 900, 2500, 4500

SIZE

3/8", 1/2", 3/4", 1", 1 1/4", 1 1/2", 2"

MATERIAL

ASTM A105, A182-F5, A182-F9, A182-F11, A182-F22, A182-F304, A182-F316, A182-F304L, A182-F316L, A182-F321, A182-F347, A182-F51, A182-F91, A350-LF2

Other Materials also Available on Application

END CONNECTION

Socket welding, threaded

Butt welding, flanged

FEATURE

Bolted bonnet or welded bonnet

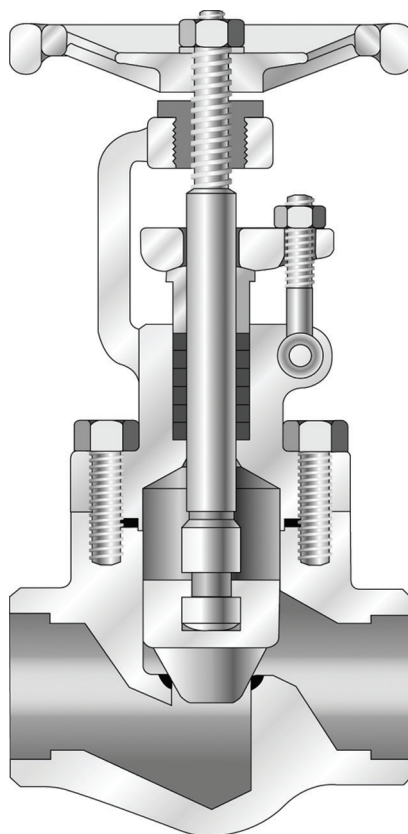
Outside screw & yoke

Plug disc

Integral seat

GLOBE VALVE

BOLTED BONNET OS & Y



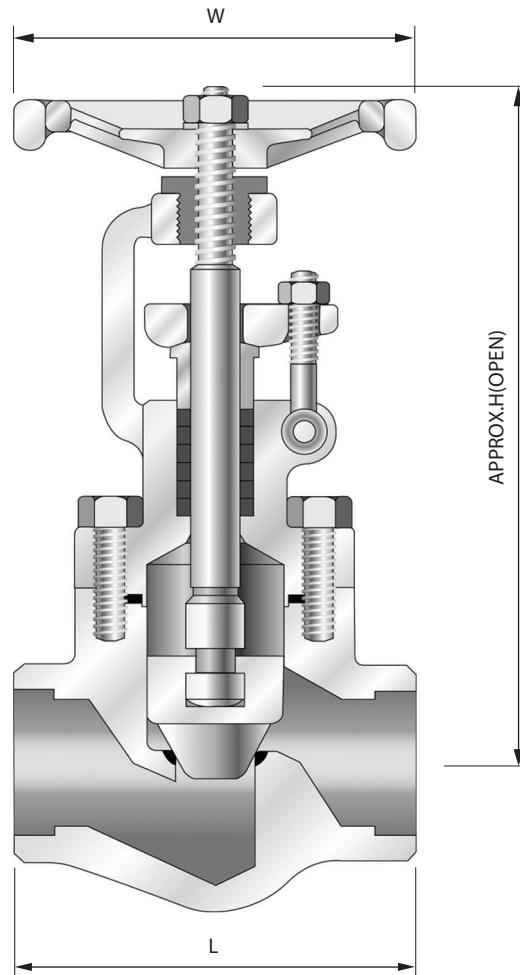
Bolted Bonnet

STANDARD MATERIAL SPECIFICATIONS

PART No.	PART NAME	Q'TY	A105	ASTM SPECIFICATIONS(SPECS-GRADES/TYPES)								
				A182				A182				
				F304	F304L	F316	F316L	F1	F5	F9	F11	F22
1	Body	1	A105	A182-F304	A182-F304L	A182-F316	A182-F316L	A182-F1	A182-F5	A182-F9	A182-F11	A182-F22
2	Bonnet	1	A105	A182-F304	A182-F304L	A182-F316	A182-F316L	A182-F1	A182-F5	A182-F9	A182-F11	A182-F22
4	Stem	1	A276-410	A276-304	A276-316		A276-410					
5	Disc	1	A217-CA15	A351-CF8	A351-CF8M		A217-CA15					
12	Bonnet Bolt	4	A193-B7	A193-B8		A193+B7						
13	Gasket	1	SS304+Graphite		SS316+Graphite		SS304+Graphite					
14	Gland	1			A276-304							
15	Gland Packing	1set			Graphite							
16	Gland Flange	1	A105	A182+F304				A105				
17	Gland Bolt	2			A193-B8							
18	Gland Bolt Nut	2	A194-2H	A194-8				A194-2H				
19	Gland Bolt Pin	2			A276-304							
20	Sleeve	1			A276-410							
22	Handwheel	1			A197							
23	Nameplate	1			Aluminum							
24	Handwheel Washor	1			A108-1020							
25	Handwheel Net	1			A307-B							

CLASS 600 & 800

BOLTED BONNET OS & Y



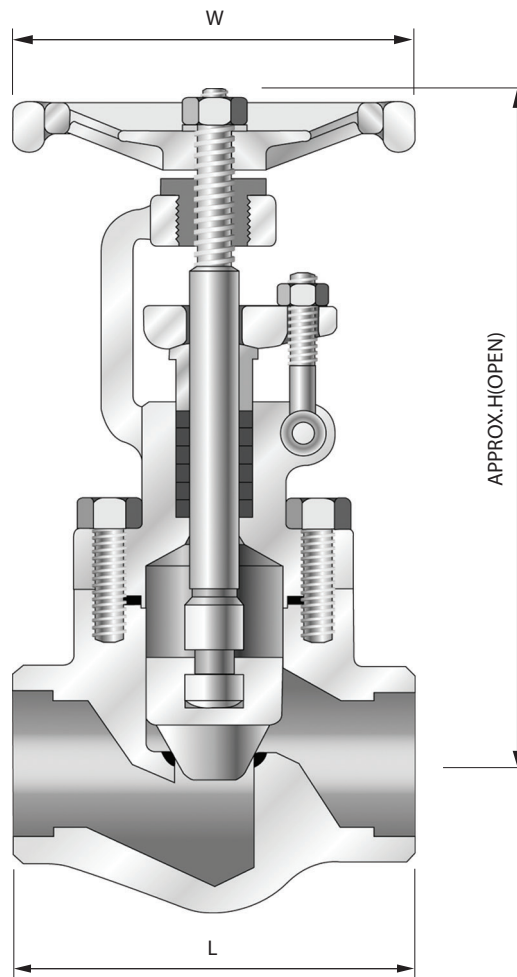
Bolted Bonnet

DIMENSION AND WEIGHT

CLASS	PORT	VALVE SIZE	CENTER TO TOP, OPEN	END TO END	HAND WHEEL DIAMETER	PORT DIAMETER	WEIGHT
			H	L	W	d	
			DN	mm	mm	mm	
600 & 800	REDUCED	10	134	73	90	8	1.5
		15	134	73	90	11	1.4
		20	146	87	90	13	1.9
		25	177	96	105	19	2.7
		32	205	121	125	25	4.9
		40	215	141	125	28	5.8
		50	248	161	150	36	9.3
	FULL	10	146	73	90	11	1.4
		15	146	87	90	13	1.9
		20	177	96	105	19	2.7
		25	205	121	125	22	4.9
		32	215	141	125	28	5.8
		40	248	161	150	32	9.3
		50	276	220	165	42	11.2

CLASS 900 & 1500

BOLTED BONNET OS & Y



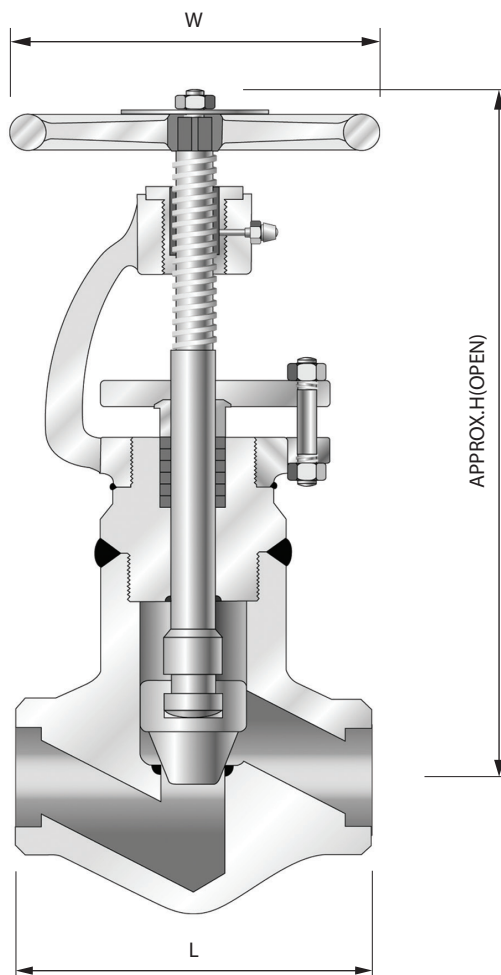
Bolted Bonnet

DIMENSION AND WEIGHT

CLASS	PORT	VALVE SIZE	CENTER TO TOP, OPEN	END TO END	HAND WHEEL DIAMETER	PORT DIAMETER	WEIGHT
			H	L	W	d	
		DN	mm	mm	mm	mm	kg
900 & 1500	REDUCED	10	177	87	105	8	1.9
		15	177	96	105	11	1.9
		20	177	96	105	13	2.7
		25	205	121	125	19	4.9
		32	215	141	125	25	5.8
		40	248	161	150	28	9.3
		50	276	172	165	36	20.4

CLASS 1500 & 2500

WELDED BONNET OS & Y



Seal Welded Bonnet

DIMENSION AND WEIGHT

CLASS	PORT	VALVE SIZE	CENTER TO TOP, OPEN	END TO END	HAND WHEEL DIAMETER	PORT DIAMETER	WEIGHT
			H	L	W	d	
		DN	mm	mm	mm	mm	kg
1500	FULL	15	233	96	150	13	6.75
		20	245	121	150	18	8.9
		25	299	141	200	19	16.5
		32	325	161	200	25	18.4
		40	347	172	200	32	26.4
		50	433	200	245	36	33.5
2500	FULL	15	245	121	150	11	18.4
		20	299	141	200	14	18.3
		25	325	161	200	19	18.3
		32	347	172	200	25	26.4
		40	433	200	245	28	26.4
		50	486	220	315	38	33.5